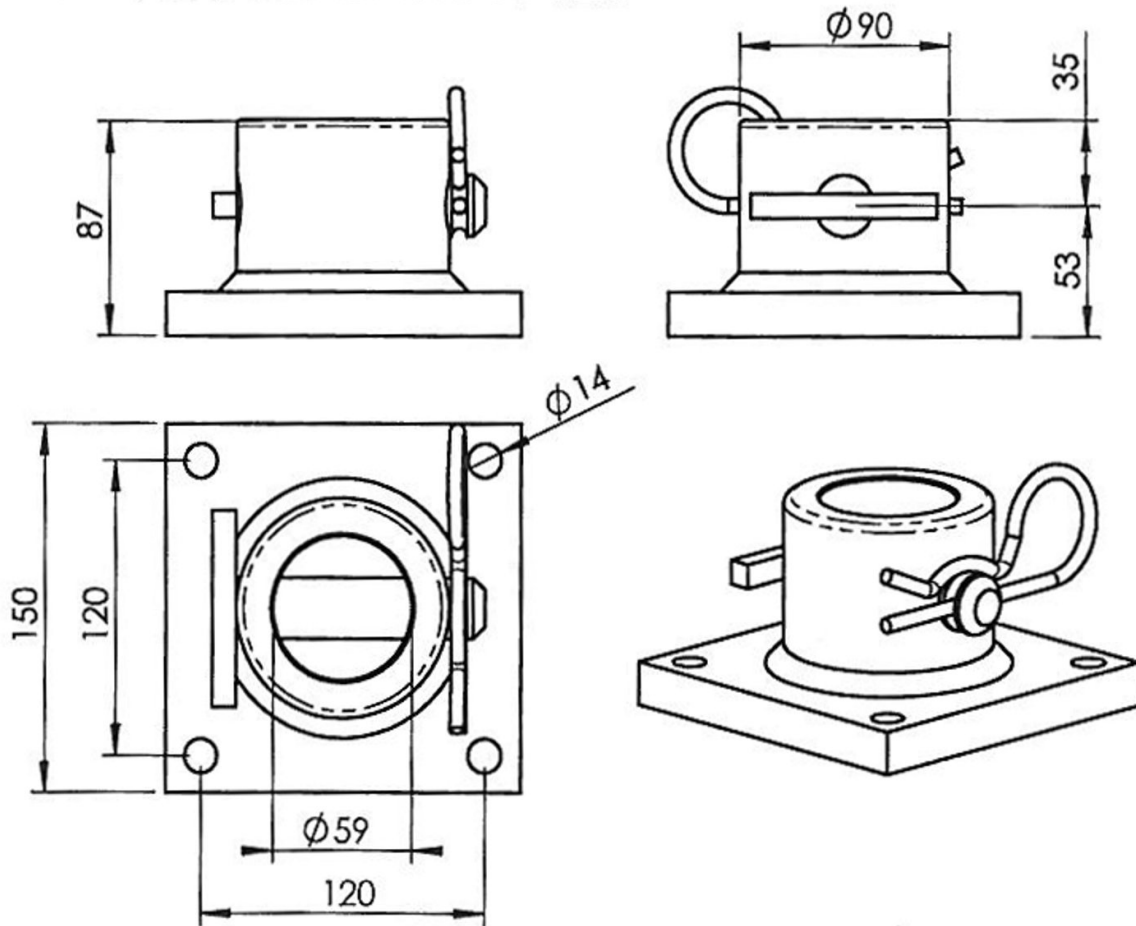


# OPTIONAL EQUIPMENTS FOR ROTATORS

## FLANGES 120 X 120



Flanges 120 x 120		
Item	Name	Dimension D
00893	Flange FR7 120x120d25 + pin	25
00894	Flange FR7 120x120d24 + pin	24
01396	Flange FR10 120x120d25 + pin	25
01397	Flange FR10 120x120d30 + pin	30